



CS SERIES
FILTRATION SYSTEM



Features & Advantages

- Small footprint for cost effective storage during off-peak season
- Quick installation. All pipe works are pre-cut and ready for installation
- Quality parts and equipment manufactured by MINDER
- Customization of filter and pump models pairing is available.
- Optional Chlorine feeder or trolley can be added upon request

Warranty

Multiport valve & fittings	1 year
Filter Tank	5 years
Pump	1 year

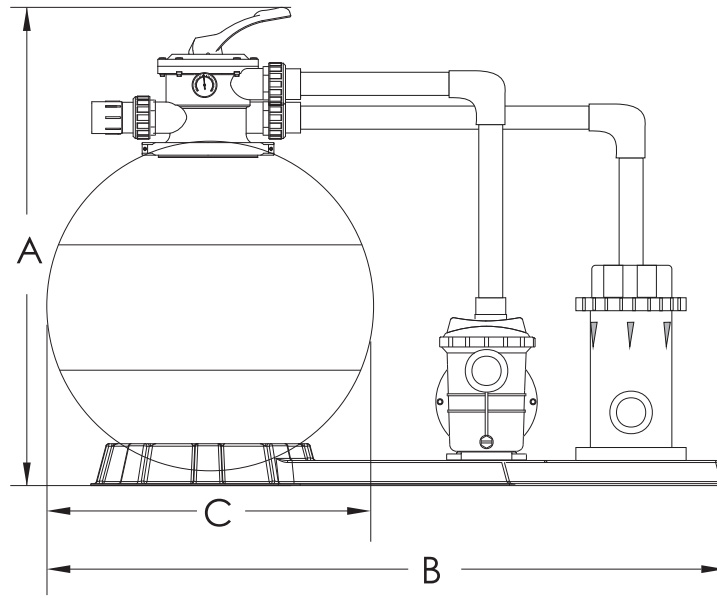
CS Series is a modular filtration system designed for easy storage and transportation, while offer similar filtration result with traditional permanent set-ups. It is a perfect solution for temporary swimming pools and water parts. The system consists a filter and a pump. Also, optional chlorine dispenser is available.

Operating Limits

Model	2.5bar
Maximum water temperature	40°C
Operating Pressure	2.5bar
Maximum Pressure	4.0bar

Technical Specification

Model	Code	Filter Model	Pump Model	Multiport Valve Union Size		Tank Dia.	Filtration Area	Max Flow Rate		Pump Power	Silica Sand
				Imperial	Metric			m ³ /h	lpm		
CS350	70086	M14	MVP50	1.5"	50mm	350	0.1	4.8	80	0.50	16
CS400	70087	M16	MVP50			400	0.13	6.3	105	0.50	30
CS450	70085	M18	MVP75			450	0.16	7.98	133	0.75	40
CS550	70088	P21	MVP100			550	0.22	11.52	192	1.00	85
CS650	70090	P25	MVP120			650	0.31	16.2	270	1.20	155



Dimensions

Model	A	B	C
	mm		
CS350	660	650	350
CS400	740	750	400
CS450	800	750	450
CS550	840	850	550
CS650	960	850	650

Pool Size Compatibility at 6 hr Turnover

Model	Pool Size	
	m3	litre
CS350	29	28,800
CS400	38	37,800
CS450	48	47,880
CS550	69	69,120
CS650	97	97,200





Printed in Australia
By BPA

Distributed internationally by Minder Water Industries Sdn. Bhd. All rights reserved 2018.
Distributed in Australia by Minder Water Industries Pty. Ltd.
Distributed in China by Minder Water Industries (Canton) Co. Ltd.
Distributed in South-East Asia by Minder Water Industries Sdn. Bhd.