



# MINDER CLASSIC™

MEDIA FILTER

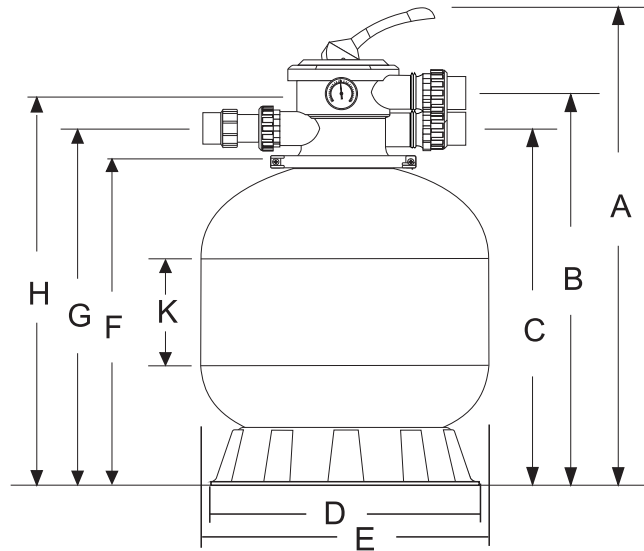


**M SERIES**  
TOP MOUNTED FILTER

[www.minderpool.com.au](http://www.minderpool.com.au)  
[sales@minderpool.com.au](mailto:sales@minderpool.com.au)

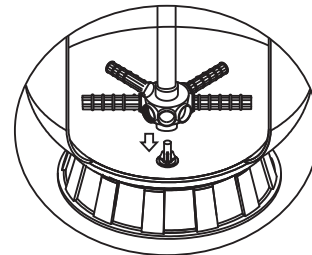
**Our Products**  
Your Future.

*All specifications are only for references. Actual product performance may vary due to external factors.  
Product's colours and specifications are subjected to change without prior notices.*



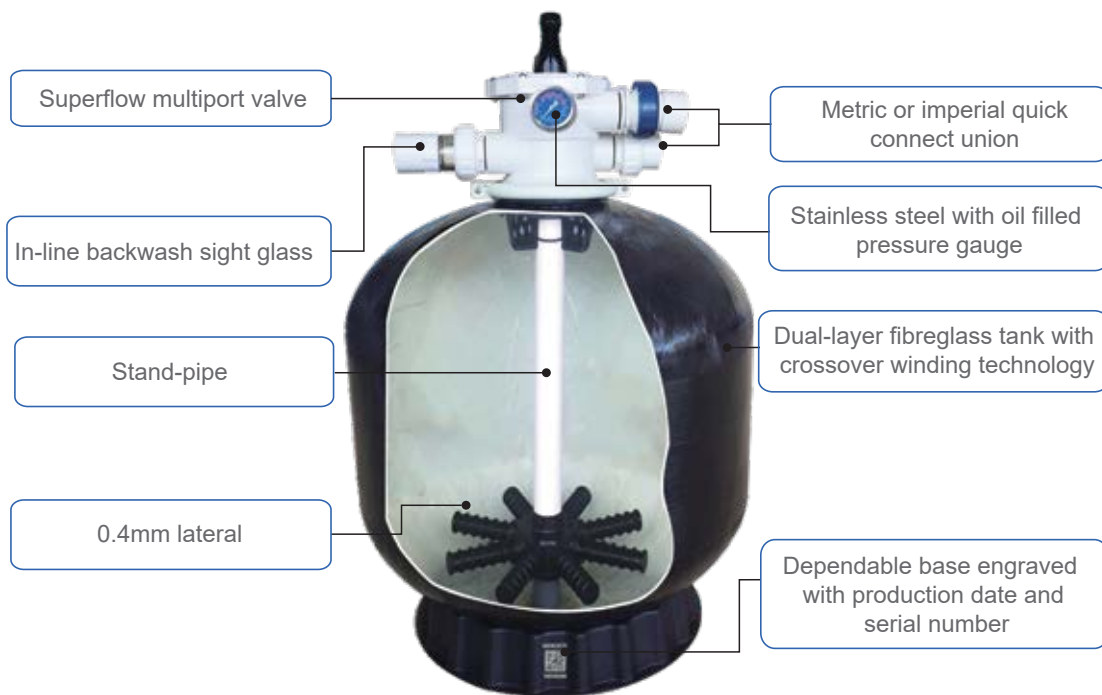
M series *MINDER CLASSIC™* top mounted fibreglass filter available from dia. 350mm-1400mm.

- Maximum working temperature of 50°C (122°F)
- Normal working pressure is rated of 280kpa (41psi), with maximum working pressure of 370kpa (54psi)
- Optional water drain can be added upon requested



## Dimensions (mm)

Model	A	B	C	D	E	F	G	H	K	Packaging sizes (Excluded MPV)		
										Length	Width	Height
mm												
M14	680	550	490	390	346	431	490	550	175	349	349	434
M16	770	614	585	390	410	525	585	641	230	413	413	528
M18	810	674	614	390	454	558	614	674	280	457	457	561
M21	867	731	671	497	534	615	671	731	240	537	537	618
M25	967	831	771	497	635	715	771	831	280	638	638	718
M25B	1017	863	783	497	635	717	783	863	280	638	638	720
M28	1027	891	831	497	700	775	831	891	290	703	703	778
M28B	1080	926	846	497	700	780	846	926	290	703	703	783
M32	1180	1026	946	714	820	880	946	1026	320	823	823	883
M36	1285	1131	1051	720	920	985	1051	1131	320	823	923	988
M40	1406	1252	1172	720	1016	1106	1172	1252	360	1019	1019	1109
M40B	1376	1265	1173	720	1016	1106	1173	1265	360	1019	1019	1109
M44	1480	1350	1270	800	1092	1210	1270	1340	360	1095	1095	1213
M44B	1480	1369	1277	800	1092	1210	1277	1369	360	1095	1095	1213
M48	1500	1450	1370	913	1210	1310	1370	1400	420	1213	1213	1313
M48B	1580	1469	1377	913	1210	1310	1377	1469	420	1213	1213	1313
M56	1615	1565	1485	1200	1404	1425	1485	1575	590	1407	1407	1428
M56B	1695	1584	1492	1200	1404	1425	1492	1584	590	1407	1407	1428



### Specifications

Model	Code	Tank Dia.	MPV size			Filter Area m <sup>2</sup>	Bed Depth mm	Silica Sand kg
			mm	Inch	mm (AUS)			
M14	70049	346	1.5	40	50	0.1	175	20
M16	70050	410	1.5	40	50	0.13	230	30
M18	70051	454	1.5	40	50	0.16	240	40
M21	70052	534	1.5	40	50	0.23	280	85
M25	70054	635	1.5	40	50	0.33	336	155
M25B	70055	635	2	50	63	0.33	336	155
M28	70056	700	1.5	40	50	0.38	348	210
M28B	70057	700	2	50	63	0.38	348	210
M32	70059	820	2	50	63	0.5	384	250
M36	70060	920	2	50	63	0.65	384	350
M40	70061	1016	2	50	63	0.79	432	600
M40B	70647	1016	2.5	65	75	0.79	432	600
M44	70062	1092	2	50	63	0.98	432	900
M44B	70648	1092	2.5	65	75	0.98	432	900
M48	70063	1210	2	50	63	1.13	504	1150
M48B	70649	1210	2.5	65	75	1.13	504	1150
M56	70064	1404	2	50	63	1.54	708	1800
M56B	70650	1404	2.5	65	75	1.54	708	1800

Model	Code	Max. Flow Rate		Designed Velocity m <sup>3</sup> /h/m <sup>2</sup>	Backwash Flow Rate		Max. Working Pressure kpa	Gross Weight kg
		lpm	m <sup>3</sup> /h		lpm	m <sup>3</sup> /h		
M14	70049	80	5	48	84	5	370	12
M16	70050	105	6	48	110	7	370	16
M18	70051	133	8	48	140	8	370	16.5
M21	70052	192	12	48	202	12	370	21.1
M25	70054	270	16	48	284	17	370	24.3
M25B	70055	305	18	48	320	19	370	24.3
M28	70056	320	19	48	336	20	370	33
M28B	70057	333	20	48	350	21	370	33
M32	70059	420	25	48	441	26	370	41.5
M36	70060	500	30	48	525	31	370	52.3
M40	70061	550	33	48	578	35	370	95
M40B	70647	683	41	48	716	43	370	97
M44	70062	630	38	48	662	40	370	115
M44B	70648	833	50	48	866	52	370	117
M48	70063	700	42	48	735	44	370	124
M48B	70649	975	58	48	1000	60	370	126
M56	70064	960	57	48	998	60	370	182.5
M56B	70650	1033	62	48	1066	64	370	184.5



Printed in Australia  
By BPA

Distributed internationally by Minder Water Industries Sdn. Bhd. All rights reserved 2018.  
Distributed in Australia by Minder Water Industries Pty. Ltd.  
Distributed in China by Minder Water Industries (Canton) Co. Ltd.  
Distributed in South-East Asia by Minder Water Industries Sdn. Bhd.