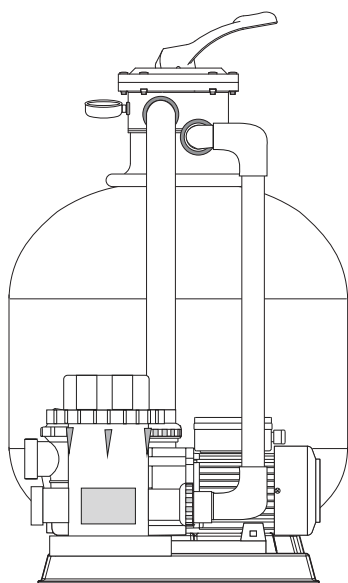




**ABOVE GROUND
FILTRATION SYSTEM**



Features & Advantages

- Elegant and compact design
- Durable fibreglass reinforced plastic casing to withstand all weather condition
- Small footprint for cost effective storage during off-peak season
- Quick installation. All pipeworks are pre-cut and ready for installation
- Quality parts and equipment manufactured by MINDER

Warranty

| | |
|----------------------------|---------|
| Multiport valve & fittings | 1 year |
| Filter Tank | 5 years |
| Pump | 1 year |
| Casing | 1 year |

All-in-One system for easy and fast installation for all weather. MOB filtration system provides a replacement towards concrete plant-room for swimming pool system.

Operating Limits

| Model | 2.5bar |
|---------------------------|--------|
| Maximum water temperature | 40°C |
| Operating Pressure | 2.5bar |
| Maximum Pressure | 4.0bar |

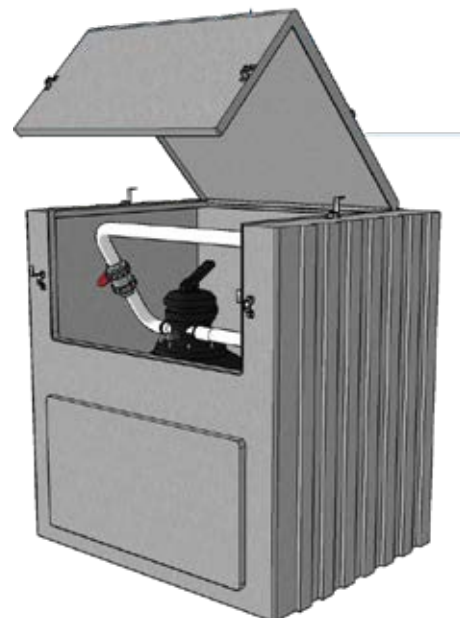
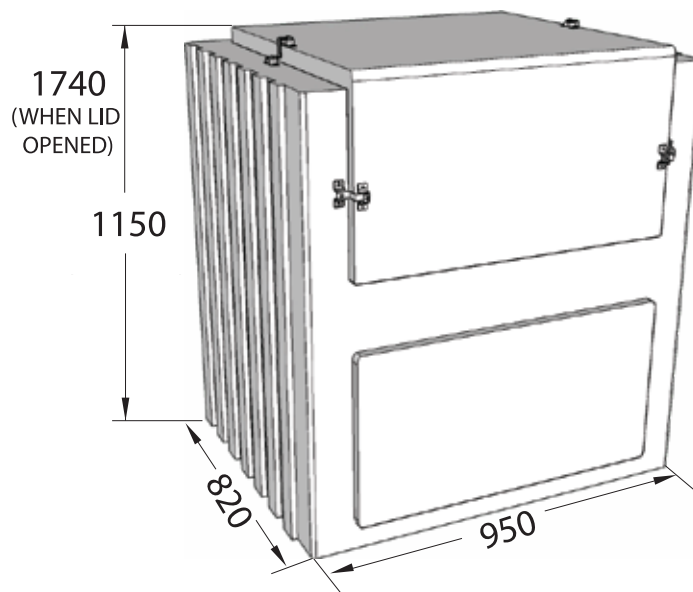
Optional Components

- MinderChlor Chlorine Generator
- Minder HydroSmart Water Management System
- Control Box for Pump, Timer & Lights
- Chlorine/ Bromine Tablet Feeder

Technical Specifications

| Model | Filter Model | Pump Model | Multiport Valve Union Size | | Tank Dia. mm | Filtration Area m ² | Max Flow Rate | | Pump Power HP | Silica Sand kg |
|--------|--------------|------------|----------------------------|--------|-----------------|-----------------------------------|-------------------|-----|------------------|-------------------|
| | | | Imperial | Metric | | | m ³ /h | lpm | | |
| MOB550 | M21 | MXB | | | 550 | 0.24 | 12 | 192 | | 85 |
| MOB650 | M25 | Pump | 1.5" | 50mm | 650 | 0.33 | 16 | 270 | 0.5HP - 3.0HP | 155 |
| MOB700 | M28 | Series | | | 700 | 0.38 | 19 | 320 | | 210 |

Dimensions (mm)



Pool Size Compatibility at 6 hr Turnover

| Model | Pool Size | |
|--------|----------------|---------|
| | m ³ | litre |
| MOB550 | 72 | 72,000 |
| MOB650 | 96 | 96,000 |
| MOB700 | 114 | 114,000 |



Printed in Australia
By BPA

Distributed internationally by Minder Water Industries Sdn. Bhd. All rights reserved 2018.
Distributed in Australia by Minder Water Industries Pty. Ltd.
Distributed in China by Minder Water Industries (Canton) Co. Ltd.
Distributed in South-East Asia by Minder Water Industries Sdn. Bhd.