



MONSOON
MRB SERIES PUMP

Features & Advantages



- **Toughness** – Engineered for long hours operations.
- **Swap & Go** – Wet-end and motor can be easily detached on site. Just swap either component when service is required and let the system keep running to reduce down time.
- **Robust** – Unique flange connections both in Inlet and Outlet for extra stability.
- **Convenient** – Extra-large basket for long intervals between cleaning.
- All models come with flange connection 65mm Inlet and 65mm Outlet.
- Optional Shock absorber (Product Code: 90576) is available.
- **Self-priming** at 2m
- Enclosure Class is IP55 & Insulation Class is F

Warranty

| | |
|----------------------------|---------|
| Pump | 2 years |
| O-ring and Mechanical Seal | 1 year |

MONSOONTM pump is designed for commercial swimming pools. The entire range comes with standard flange connection. With 75mm Inlet and 65mm Outlet, it offers well balance between flow rate and head. MRB series pumps are built for the toughest conditions with heavy duties motor and pump components

Operating Limits

| Model | |
|-----------------------------|-------|
| Maximum water temperature | 50°C |
| Maximum Ambient Temperature | 50°C |
| Noise at 1 meter | 65 dB |

Application

- Domestic pools
- Commercial pools
- Water features



Robust plastic body

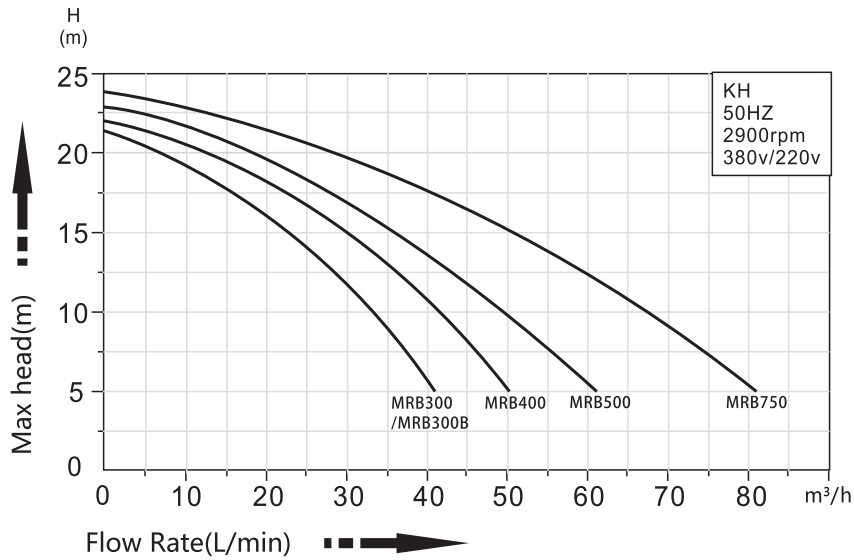


Flange connection & transparent lid



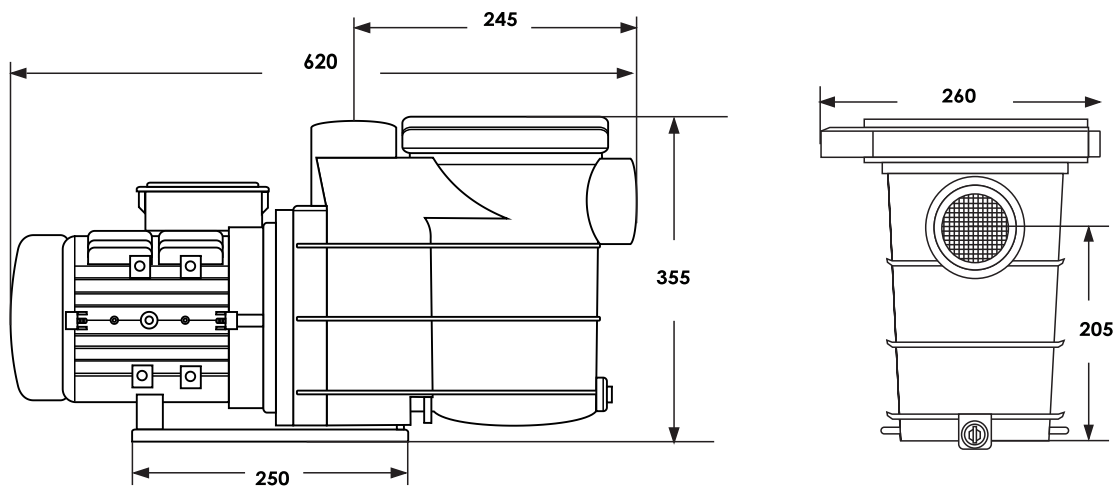
Optional shock absorber

Technical Specification



| Model | Code | Union Connection Size | | Voltage V | Phase | Frequency Hz | Input Power kw | Output Power HP | RPM |
|---------|-------|-----------------------|--------|--------------|-------|-----------------|-------------------|--------------------|------|
| | | Inlet | Outlet | | | | | | |
| MRB300 | 70663 | | | 380 - 400 | 3 | | 2.2 | 3 | |
| MRB300B | 70644 | | | 220 - 240 | 1 | | 2.2 | 3 | |
| MRB400 | 70664 | 75mm | 65mm | 380 - 400 | 3 | 50 / 60 | 3 | 4 | 2850 |
| MRB500 | 70665 | | | 380 - 400 | 3 | | 4 | 5 | |
| MRB750 | 71036 | | | 380 - 400 | 3 | | 5.5 | 7.5 | |

Dimensions (mm)





Printed in Australia
By BPA

Distributed internationally by Minder Water Industries Sdn. Bhd. All rights reserved 2018.
Distributed in Australia by Minder Water Industries Pty. Ltd.
Distributed in China by Minder Water Industries (Canton) Co. Ltd.
Distributed in South-East Asia by Minder Water Industries Sdn. Bhd.