



TORNATO
MTX SERIES PUMP

Features & Advantages



- **Reliable** – Constructed from corrosion resistant engineered plastic for long working life
- **Sea Water** – Appropriate especially for sea water application such as in Aquarium.
- **High Performance** – Maximum flow rate up to 110m³/h.
- All models come with union connection either 3" or 75mm.
- **Self-priming** at 2m
- Enclosure Class is IP55 & Insulation Class is F

Warranty

Pump	2 years
O-ring and Mechanical Seal	1 year

MINDER TORNATOTM pump, with maximum of 15hp, is designed for commercial pools and aquariums. The wet-end components are constructed from corrosion, high and low temperature resistant engineered plastic for long operation life. All models come with 3" union (Imperial or Metric).

Operating Limits

Model	
Maximum water temperature	50°C
Maximum Ambient Temperature	50°C
Noise at 1 meter	65 dB

Application

- Domestic pools
- Commercial pools
- Aquariums



Transparent Lid

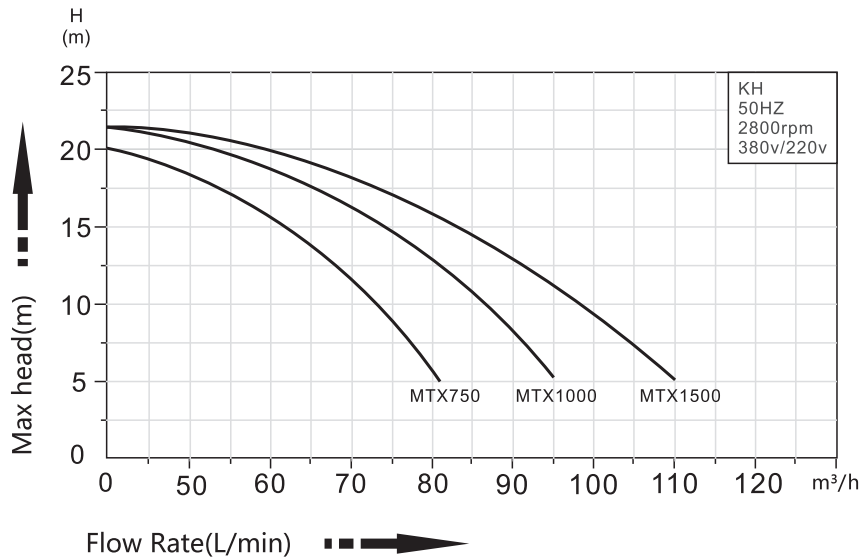


Robust plastic body for high power pump



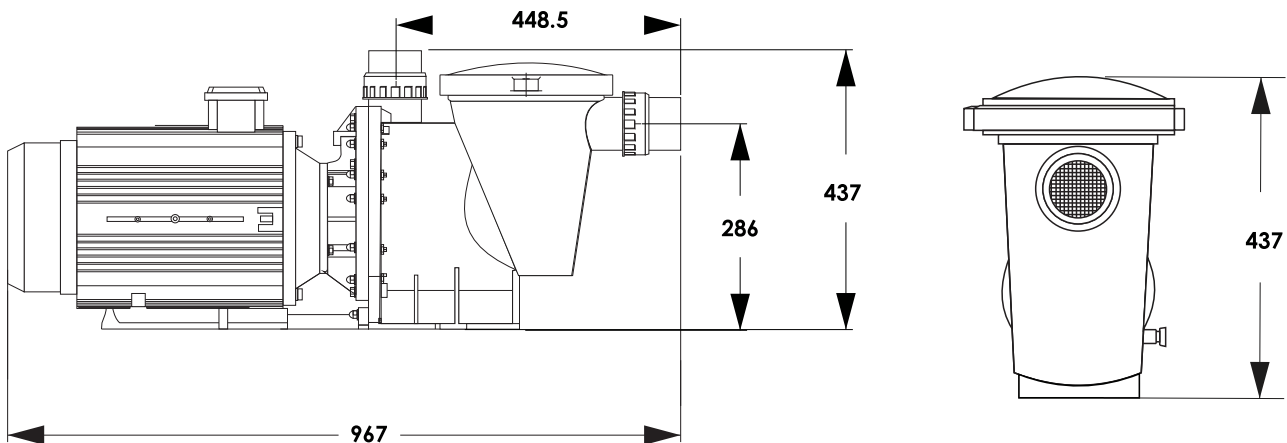
Easy union connection union 3" / 90mm

Technical Specification



Model	Code	Union Connection Size		Voltage V	Phase	Frequency Hz	Input Power kw	Output Power HP	RPM
		Imperial	Metric						
MTX750	90722						5.5	7.5	
MTX1000	90723	3.0"	90mm	380 - 400	3	50 / 60	7.5	10	2850
MTX1500	90724						11	15	

Dimensions (mm)





Printed in Australia
By BPA

Distributed internationally by Minder Water Industries Sdn. Bhd. All rights reserved 2018.
Distributed in Australia by Minder Water Industries Pty. Ltd.
Distributed in China by Minder Water Industries (Canton) Co. Ltd.
Distributed in South-East Asia by Minder Water Industries Sdn. Bhd.