

MVB SERIES
VORTEX AIRBLOWER

Features & Advantages

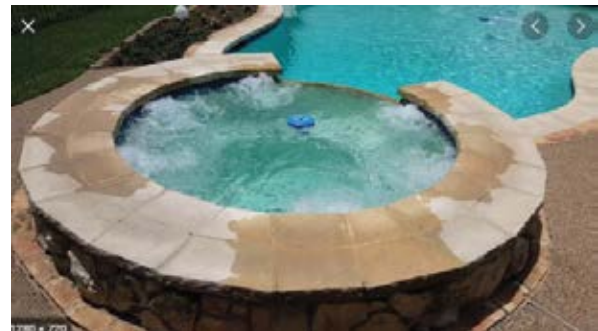
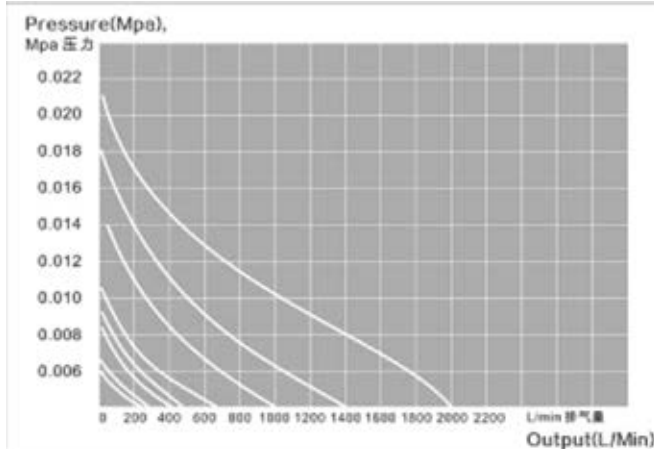
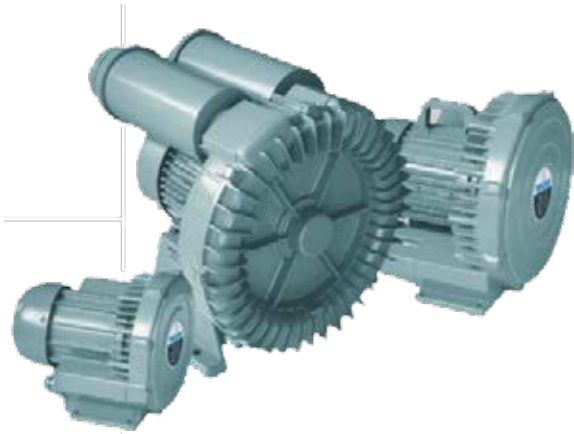
- Smooth airflow and quiet
- High performance with low power consumption
- Compact design with modern appearance
- Long life time
- Non-oil lubricating design to produce more purified air

Warranty

MVB Airblower 1 year

Application

Spa feature for swimming pool



Technical Specification & Dimensions

Model	Code	Power	Voltage	Frequency	Pressure	Volumetric Output at 0 Mpa	Weight	Size
		W	V	Hz	Mpa	L/min	kg	mm
MVB125G	90460	70			>0.006	250	7.0	236 x 179 x 186
MVB185G	90461	90			>0.007	300	7.4	233 x 199 x 207
MVB290G	90462	120			>0.009	350	8.0	230 x 199 x 215
MVB390G	90463	180	110/220-240	50/60	>0.010	500	10.2	255 x 223 x 230
MVB600G	90464	250			>0.011	640	11.0	256 x 246 x 256
MVB800G	90465	400			>0.015	1000	17.0	295 x 295 x 305
MVB1200G	90466	600			>0.019	1317	21.0	315 x 310 x 325
MVB2200G	90467	220	380	50	>0.020	2100	46.5	330 x 315 x 450



Printed in Australia
By BPA

Distributed internationally by Minder Water Industries Sdn. Bhd. All rights reserved 2018.
Distributed in Australia by Minder Water Industries Pty. Ltd.
Distributed in China by Minder Water Industries (Canton) Co. Ltd.
Distributed in South-East Asia by Minder Water Industries Sdn. Bhd.