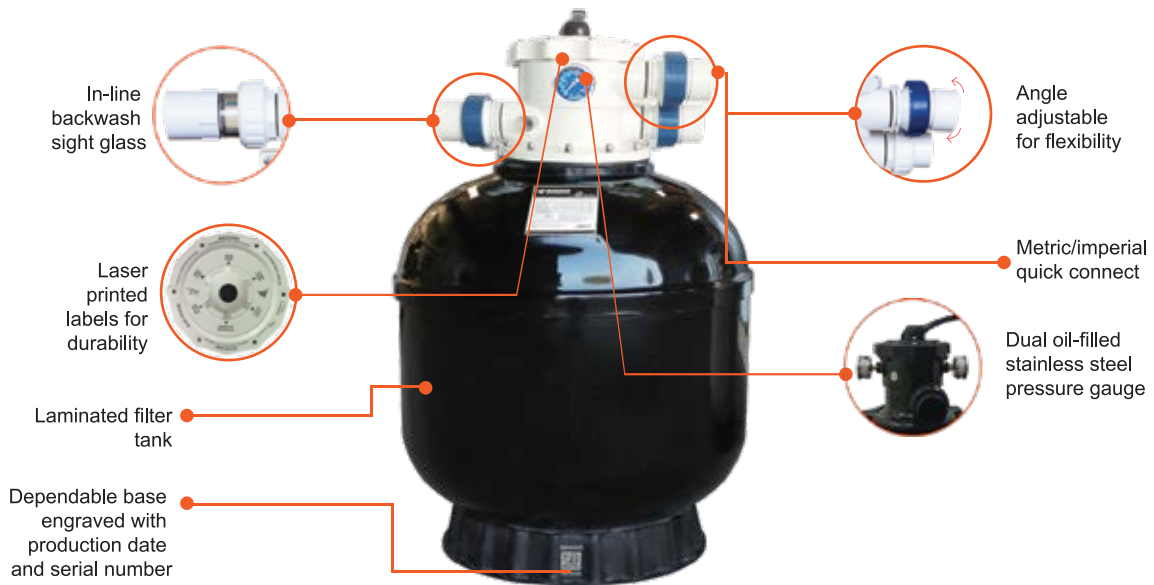




G SERIES
TOP MOUNTED LEMINATED FILTER



Minder G Series filter is Minder's laminated (gel-coat) filter range for domestic filtration system. It is designed and built with consideration of the best quality and elegant outlook. The series comes with top-mounted multiport valve with either 1.5" or 2.0".



Features & Advantages

- 100% factory tested according to international standard and MINDER improved standard.
- Easy to use durable 6-ways multiport valve fitted with angle adjustable union to prevent pipe breakage during handling
- Materials used are dependable and suitable for all-weather performance
- Dual layers of fibreglass inner shell with UV resistant laminated (Gel coat) surface allows the filter to work under direct sunlight

Warranty

Multiport valve & fittings	1 year
Filter Tank	5 years

Operating Limits

Model	2.5bar
Maximum water temperature	40°C
Operating Pressure	2.5bar
Maximum Pressure	4.0bar

Optional Components

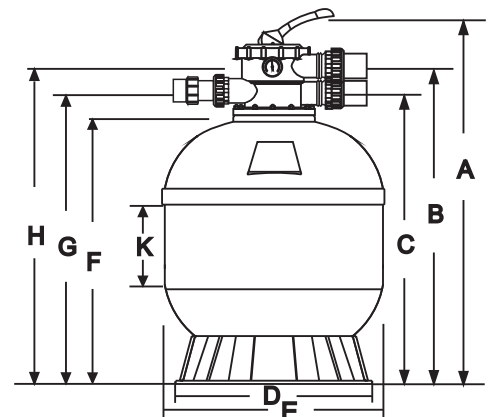
- Nozzle collection system
- Vinyl-ester internal coating
- FilterClean™ – Chemical Tablet Feeder

Technical Specification

Model	Code	Multiport Valve Union Size		Tank Ø	Filtration Area	Designed Velocity	Max Flow Rate		Media Depth Bed	Silica Sand (kg)
		2.5bar	Imperial				Metric	m ³ /h		
V1.5 multiport valve with union size 1.5" / 50mm										
G16	70109			400	0.13		6	100	290	30
G18	70110			450	0.16		8	133	300	40
G21	70111		1.5"	50mm	0.23	48	12	200	340	85
G25	70112			650	0.33		16	267	400	155
G28	70113			700	0.38		19	317	460	210
V2.0 multiport valve with union size 2.0" / 63mm										
G28B	70732			700	0.38		20	333	460	210
G32	70115			800	0.50		25	417	520	250
G36	70116		2.0"	63mm	0.65	48	30	500	600	350
G40	70733			1000	0.79		33	550	665	600
G44	70734			1100	0.98		38	633	730	900
G48	70735			1200	1.13		42	700	800	1150

Dimensions

Model	A	B	C	D	E	F	G	H	I	
	mm									
V1.5 multiport valve with union size 1.5" / 50mm										
G16	770	614	585	390	410	525	585	641	230	
G18	810	674	614	390	454	558	614	674	280	
G21	867	731	671	497	534	615	671	731	240	
G25	967	831	771	497	635	715	771	831	280	
G28	1027	891	831	497	700	775	831	891	290	
V2.0 multiport valve with union size 2.0" / 63mm										
G28B	1027	891	846	497	700	780	846	926	290	
G32	1180	1026	946	714	700	880	946	1026	320	
G36	1285	1131	1051	720	1016	1106	1172	1252	360	
G40	1406	1252	1172	720	1016	1106	1172	1252	360	
G44	1480	1350	1270	800	1092	1210	1270	1340	360	
G48	1500	1450	1370	913	1210	1310	1370	1400	420	





Printed in Australia
By BPA

Distributed internationally by Minder Water Industries Sdn. Bhd. All rights reserved 2018.
Distributed in Australia by Minder Water Industries Pty. Ltd.
Distributed in China by Minder Water Industries (Canton) Co. Ltd.
Distributed in South-East Asia by Minder Water Industries Sdn. Bhd.