



CARTRIDGE FILTER

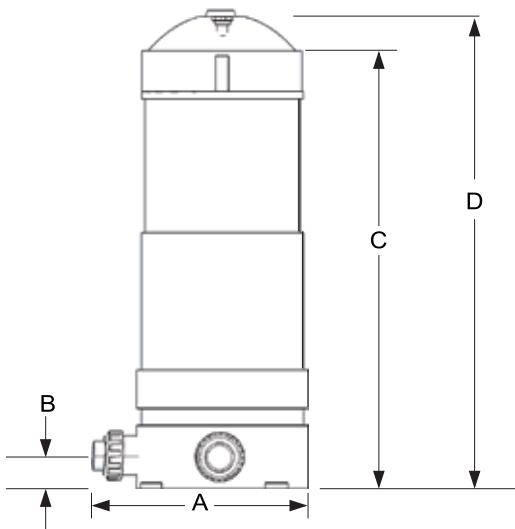


Features & Advantages

Max temperature: 45C
 Maximum Pressure: 2.8bar
 Automatic air bleed available
 Heavy duty and UV resistant tank

Warranty

Tank	5 years
------	---------



Technical Specification & Dimensions

Code	Model	Surface Area	Max Flow	Dimension					Element
		sq	lpm	A	B	C	D	In/Outlet	
90657	CM50	50ft	205	378	58	538	830	1" / 1.5"	Q2310
90658	CM75	75ft	270	378	58	538	830	1" / 1.5"	Q2311
90659	CM100	100ft	340	378	58	632	1000	1" / 1.5"	Q2312
90660	CM150	150ft	450	378	58	818	1355	1" / 1.5"	Q2313
90661	CM175	175ft	540	378	58	900	1545	1" / 1.5"	Q2311 & Q2312
90662	CM225	225ft	670	378	58	1105	1945	1" / 1.5"	Q2311 & Q2313



Printed in Australia
By BPA

Distributed internationally by Minder Water Industries Sdn. Bhd. All rights reserved 2018.
Distributed in Australia by Minder Water Industries Pty. Ltd.
Distributed in China by Minder Water Industries (Canton) Co. Ltd.
Distributed in South-East Asia by Minder Water Industries Sdn. Bhd.