



SPE SERIES
UNDERWATER LIGHT



Features & Advantages

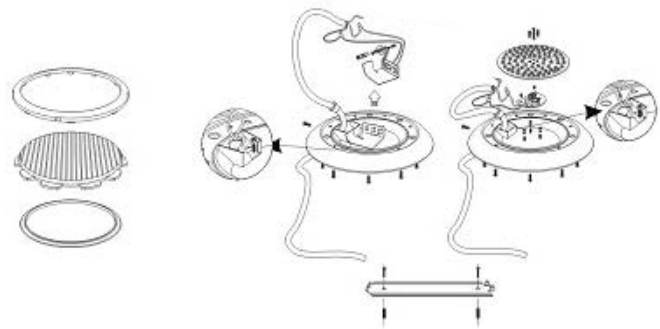
- Premium stainless steel finish
- Wall hanging fit
- Easy to install and maintain
- High intensity LED beam technology
- Available in white or multi-colour
- Enclosure class IP68 water and dust proofing

Warranty

SPE Light 1 year (not including LED)

Application

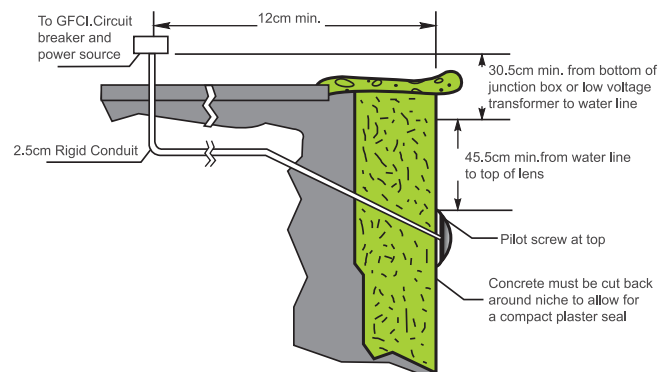
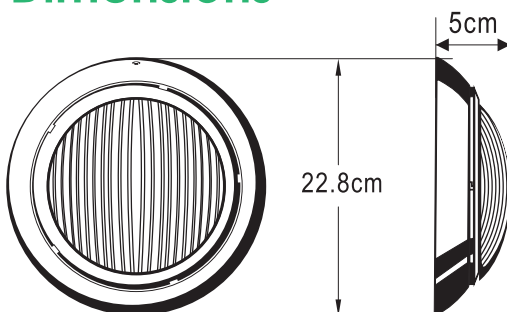
Concrete swimming pool



Technical Specification

Model	Code	Light Source	Voltage (V)	Power (W)	No. of LEDs	LED Colour	Remote Control
SPE-100	70226	Halogen		100.0	N/A	Warm White	No
SPE-108C	70228	LED		8.1	108	Multi-color changing	No
SPE-108CS	70229	LED		8.1	108	Multi-color changing	Yes
SPE-108W	70227	LED	12	8.1	108	White	No
SPE-180C	70231	LED		13.5	180	Multi-color changing	No
SPE-180CS	70232	LED		13.5	180	Multi-color changing	Yes
SPE-180W	70230	LED		13.5	180	White	No

Dimensions





Printed in Australia
By BPA

Distributed internationally by Minder Water Industries Sdn. Bhd. All rights reserved 2018.
Distributed in Australia by Minder Water Industries Pty. Ltd.
Distributed in China by Minder Water Industries (Canton) Co. Ltd.
Distributed in South-East Asia by Minder Water Industries Sdn. Bhd.